
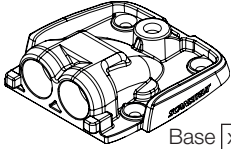
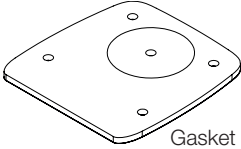
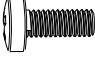
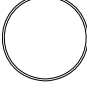

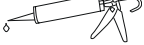
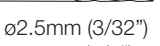

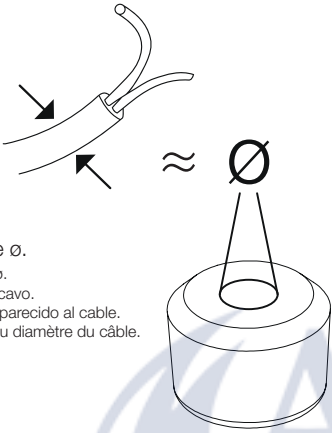


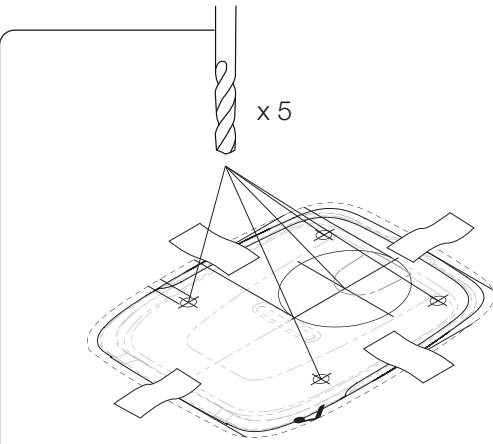
| Parts List | | |
|--|---|---|
|  |  |  |
| Shell x1 | Base x1 | Gasket x1 |
|  | M5X10 Bolt - (Black) x1 | 2x Blank 2x 5mm 2x 6mm |
|  | No. 6 X16 Self tapping screw x4 | Bungs x6 |

| Tools Required | |
|---|--|
|  | Pozi Screwdriver |
|  | Silicone |
|  | ø2.5mm (3/32") ø3mm (1/8") Drill Bit |
|  | ø25mm (1") Hole Saw/Drill Bit |

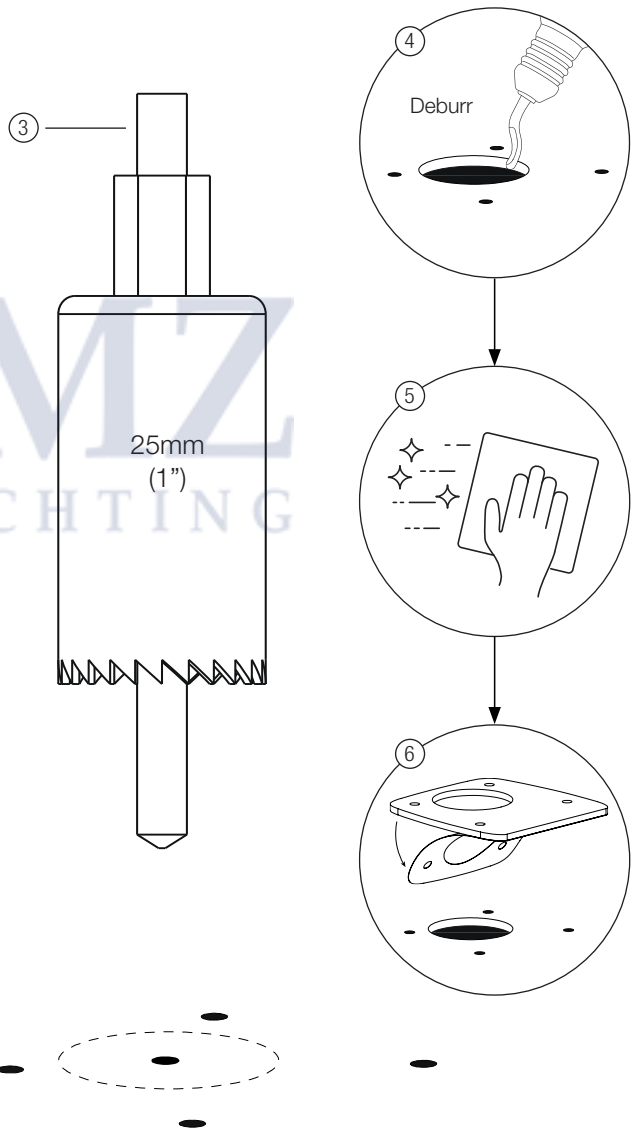


① Choose bung closest to cable ø.
 DE - Wähle Dichtung nahe dem Kabel ø.
 IT - Scegliere il passafili adatto al ø del cavo.
 ES - Elija el tapón con el diámetro más parecido al cable.
 FR - Choisissez le joint le plus proche du diamètre du câble.

②



| Material | Drill | Fixing |
|--|---------------|--|
| Soft Material e.g. plywood | 2.5mm (3/32") | No.6 Screw (Included) |
| Hard Material e.g. fiberglass, hardwoods, acrylics | 3mm (1/8") | |
| Metal e.g. Steel, aluminium | 3mm (1/8") | <u>Recommended</u> >12mm x M3 Countersunk Bolt with washer and Nyloc (Not included) |



③ 25mm (1")

④ Deburr

⑤

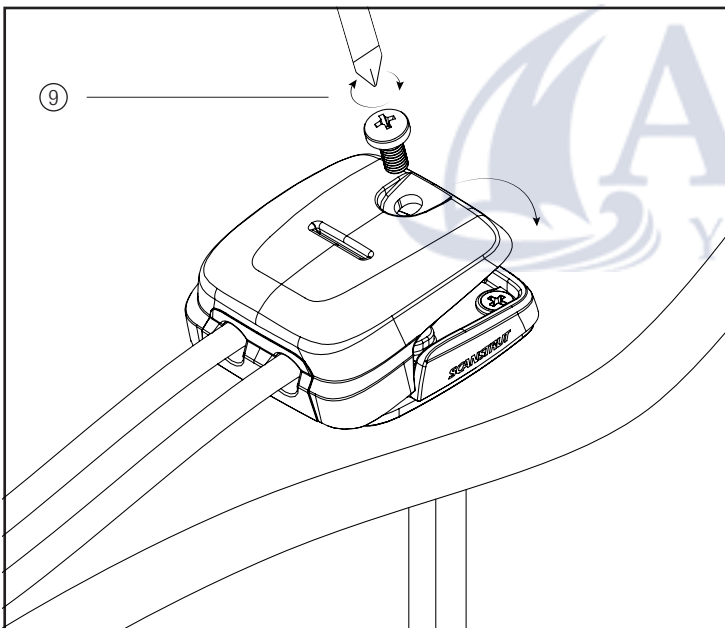
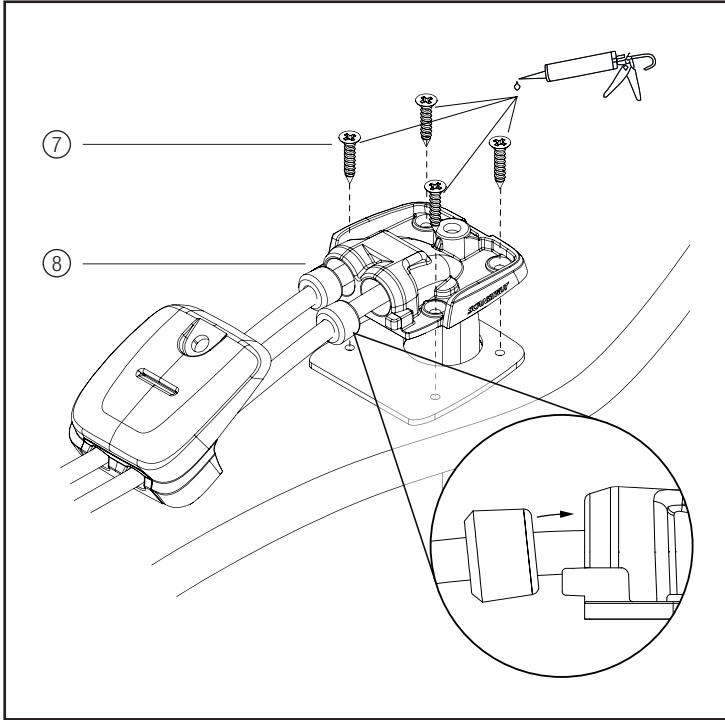
⑥

UK & International
 +44 (0)1392531280
 sales@scanstrut.com

For further installation and warranty information please visit:
 www.scanstrut.com

USA
 +1 860 308 1416
 usasales@scanstrut.com





Cutting Template

Warning Check Scale

50 mm

2"

Print document 1:1 Scale for correct cutting template size.

Share your installation with us.



UK & International
+44 (0)1392531280
sales@scanstrut.com

For further installation
and warranty information
please visit:
www.scanstrut.com

USA
+1 860 308 1416
usasales@scanstrut.com

